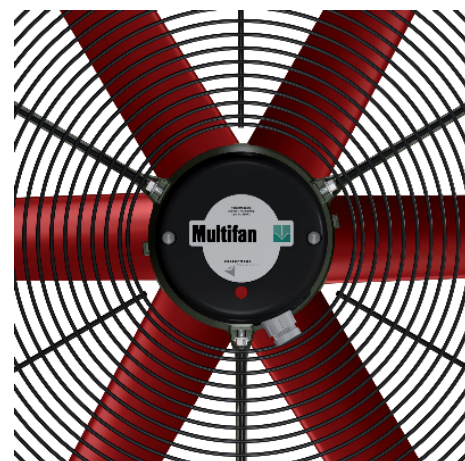


Multifan 

 **VOSTERMANS**
VENTILATION

Technical data
50 Hz
standard program



Technical data single-phase 230 V / 50 Hz



| | Ø (cm) | Type | Multifan code | I _{nom} (A) | I _{max} (A) | P _{in} (W) | W/1000 m³/h | Controllability (*) | L _p dB(A)(**) | Cond. uF/400 | |
|--------------|----------|---------|---------------|----------------------|----------------------|---------------------|-------------|---------------------|--------------------------|--------------|------|
| | | | | | | | | | | | |
| 1~230V 50 Hz | 2800 RPM | 30 | 2E30 | V2E30AØ | 1,30 | 1,90 | 290 | 94,5 | E/T | 61 | 8 |
| | | 30 | 2E30-6PP-40 | V2E30A4 | 2,40 | 4,20 | 520 | 122,6 | T | 64 | 16 |
| | | 35 | 2E35 | V2E35AØ | 1,70 | 2,80 | 370 | 74,6 | E/T | 65 | 8 |
| | 1400 RPM | 20 | 4WS20 | VWS20 | 0,48 | 0,58 | 60 | 92,3 | E/T | 43 | - |
| | | 25 | 4WS25 | VWS25 | 0,72 | 0,86 | 100 | 83,3 | E/T | 45 | - |
| | | 30 | 4E30 | V4E30AØ | 0,55 | 0,66 | 110 | 47,0 | E/T | 44 | 3 |
| | | 35 | 4E35 | V4E35AØ | 0,91 | 1,09 | 160 | 45,7 | E/T | 47 | 4 |
| | | 40 | 4E40 | V4E40AØ | 1,11 | 1,33 | 230 | 47,4 | E/T | 50 | 6 |
| | | 45 | 4E45 | V4E45AØ | 1,47 | 1,76 | 300 | 47,2 | E/T | 52 | 8 |
| | | 50 | 4E50 | V4E50AØ | 1,96 | 2,35 | 440 | 52,1 | E/T | 55 | 12 |
| | | 50 | 4E50-6PP-40 | V4E50A1 | 2,76 | 4,00 | 580 | 59,8 | E/T | 57 | 12 |
| | | 63 | 4E63 | V4E63A1 | 6,22 | 8,00 | 1.370 | 81,5 | - | 68 | 22+3 |
| | | 900 RPM | 40 | 6E40 | V6E40AØ | 1,10 | 1,32 | 180 | 49,5 | E/T | 47 |
| | 45 | | 6E45 | V6E45AØ | 1,43 | 1,72 | 250 | 48,5 | E/T | 51 | 10 |
| | 50 | | 6E50 | V6E50AØ | 1,46 | 1,75 | 300 | 42,0 | E/T | 51 | 8 |
| | 56 | | 6E56 | V6E56AØ | 2,50 | 3,00 | 510 | 50,5 | E/T | 52 | 16 |
| | 63 | | 6E63 | V6E63AØ | 3,00 | 3,10 | 600 | 44,4 | E/T | 55 | 16 |
| | 71 | | 6E71 | V6E71AØ | 3,05 | 3,66 | 620 | 44,3 | E/T | 60 | 16 |
| | 71 | | 6E71-4PP-40 | V6E71A1 | 3,40 | 4,08 | 730 | 46,8 | E/T | 61 | 16 |
| | 92 | | 6E92 | V6E92AØ | 4,00 | 4,80 | 790 | 37,4 | E/T | 61 | 16 |

Fan capacities single-phase 230 V / 50 Hz (m³/h)



| | Type | Multifan code | 0 Pa | 30 Pa | 50 Pa | 80 Pa | 100 Pa | |
|---------------|-------------|---------------|---------|---------|--------|--------|--------|--------|
| | | | | | | | | |
| 1~230 V 50 Hz | 2800 RPM | 2E30 | V2E30AØ | 3.070 | 2.880 | 2.760 | 2.560 | 2.400 |
| | | 2E30-6PP-40 | V2E30A4 | 4.240 | 4.140 | 4.070 | 3.950 | 3.860 |
| | | 2E35 | V2E35AØ | 4.960 | 4.690 | 4.510 | 4.230 | 4.040 |
| | 1400 RPM | 4WS20 | VWS20 | 650 | | | | |
| | | 4WS25 | VWS25 | 1.200 | | | | |
| | | 4E30 | V4E30AØ | 2.340 | 2.060 | | | |
| | | 4E35 | V4E35AØ | 3.500 | 3.140 | 2.860 | | |
| | | 4E40 | V4E40AØ | 4.850 | 4.380 | 4.020 | | |
| | | 4E45 | V4E45AØ | 6.350 | 5.800 | 5.400 | | |
| | | 4E50 | V4E50AØ | 8.450 | 7.750 | 7.300 | | |
| | | 4E50-6PP-40 | V4E50A1 | 9.700 | 9.300 | 8.700 | 8.000 | 7.450 |
| | | 4E63 | V4E63A1 | 16.800 | 15.900 | 15.200 | 14.200 | 13.600 |
| | | 900 RPM | 6E40 | V6E40AØ | 3.640 | 2.850 | | |
| | 6E45 | | V6E45AØ | 5.150 | 4.200 | 3.200 | | |
| | 6E50 | | V6E50AØ | 7.150 | 6.100 | 5.000 | | |
| | 6E56 | | V6E56AØ | 10.100 | 9.000 | 8.050 | | |
| | 6E63 | | V6E63AØ | 11.900 | 11.300 | 9.750 | | |
| | 6E71 | | V6E71AØ | 14.000 | 12.600 | 11.600 | | |
| | 6E71-4PP-40 | | V6E71A1 | 15.600 | 14.000 | 12.800 | | |
| | 6E92 | | V6E92AØ | 21.100 | 18.400 | 16.500 | | |

Technical data three-phase 230/400 V / 50 Hz

| | Ø (cm) | Type | Multifan code | I _{nom} (A) 230 V | I _{nom} (A) 400 V | I _{max} (A) | P _{in} (W) | W/1000 m³/h | Controllability (*) | L _p dB(A)(**) | |
|-----------------|----------|------|---------------|----------------------------|----------------------------|----------------------|---------------------|-------------|---------------------|--------------------------|----|
| | | | | | | | | | | | |
| 3~230/400V 50Hz | 2800 RPM | 30 | 2D30 | V2D30AØ | 1,06 | 0,61 | 1,16/0,67 | 270 | 78,7 | T/F | 62 |
| | | 35 | 2D35 | V2D35AØ | 1,44 | 0,83 | 1,58/0,91 | 380 | 78,8 | T/F | 65 |
| | | 30 | 4D30 | V4D30AØ | 0,48 | 0,28 | 0,53/0,31 | 90 | 39,1 | T/F | 44 |
| | 1400 RPM | 35 | 4D35 | V4D35AØ | 0,94 | 0,54 | 1,03/0,59 | 160 | 46,0 | T/F | 47 |
| | | 40 | 4D40 | V4D40AØ | 0,97 | 0,56 | 1,07/0,62 | 210 | 44,2 | T/F | 50 |
| | | 45 | 4D45 | V4D45AØ | 1,14 | 0,66 | 1,26/0,73 | 280 | 44,1 | T/F | 52 |
| | | 50 | 4D50 | V4D50AØ | 1,80 | 1,04 | 1,98/1,14 | 380 | 45,8 | T/F | 55 |
| | | 50 | 4D50-4PP-45 | V4D50A2 | 2,98 | 1,72 | 3,64/2,10 | 820 | 78,1 | T/F | 60 |
| | | 50 | 4D50-6PP-45 | V4D50A4 | 2,10 | 1,21 | 2,31/1,33 | 530 | 54,4 | T/F | 61 |
| | | 56 | 4D56 | V4D56AØ | 3,27 | 1,89 | 3,60/2,08 | 960 | 76,2 | T/F | 61 |
| | | 63 | 4D63 | V4D63A1 | 5,92 | 3,42 | 6,52/3,76 | 1.480 | 84,1 | T/F | 65 |
| | | 63 | 4D63-5PP-45 | V4D63A2 | 8,04 | 4,64 | 8,49/4,90 | 2.320 | 119,0 | T/F | 66 |
| | | 71 | 4D71 | V4D71AØ | 7,76 | 4,48 | 8,54/4,93 | 1.750 | 84,1 | T/F | 69 |
| | 900 RPM | 45 | 6D45-5PP-45 | V6D45A | 0,97 | 0,56 | 1,07/0,62 | 210 | 39,6 | T/F | 48 |
| | | 50 | 6D50 | V6D50AØ | 1,07 | 0,62 | 1,18/0,68 | 260 | 37,7 | T/F | 50 |
| | | 56 | 6D56 | V6D56AØ | 1,16 | 0,67 | 1,28/0,74 | 300 | 34,5 | T/F | 49 |
| | | 63 | 6D63 | V6D63AØ | 2,23 | 1,29 | 2,46/1,42 | 600 | 46,2 | T/F | 53 |
| | | 63 | 6D63-5PP-40 | V6D63A4 | 2,11 | 1,22 | 2,32/1,34 | 560 | 49,6 | T/F | 54 |
| | | 71 | 6D71 | V6D71AØ | 2,98 | 1,72 | 3,28/1,89 | 850 | 52,1 | T/F | 56 |
| | | 71 | 6D71-5PP-40 | V6D71A | 3,12 | 1,80 | 3,43/1,98 | 870 | 51,8 | T/F | 56 |
| | | 92 | 6D92 | V6D92A1 | 2,62 | 1,51 | 2,88/1,66 | 830 | 40,9 | T/F | 61 |
| | | 92 | 6D92-3PP-28 | V6D92A2 | 4,56 | 2,63 | 5,54/3,20 | 1.080 | 43,7 | T/F | 64 |

* E = Electronically controllable (electronic voltage control by TRIAC/SCR), T = Trafo controllable (voltage control by transformer), F = (Frequency controllable by frequency controller). A frequency controller in combination with a single-phase motor is possible. Inform about possibilities.
 ** Sound pressure level measured at 7 m. free blowing distance.
 All air capacities without wire guard. All motors meet the IP55 standard.

Fan capacities three-phase 230/400 V / 50 Hz (m³/h)

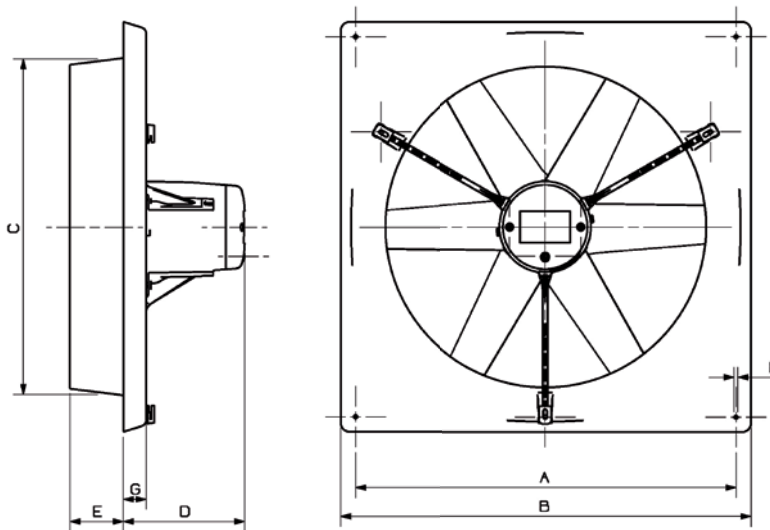
| | Type | Multifan code | 0 Pa | 30 Pa | 50 Pa | 80 Pa | 100 Pa | 150 Pa |
|------------------|----------|---------------|---------|--------|--------|--------|--------|--------|
| | | | | | | | | |
| 3~230/400V 50 Hz | 2800 RPM | 2D30 | V2D30AØ | 3.430 | 3.270 | 3.150 | 2.940 | 2.800 |
| | | 2D35 | V2D35AØ | 4.820 | 4.520 | 4.310 | 3.990 | 3.760 |
| | | 4D30 | V4D30AØ | 2.300 | 2.010 | | | |
| | 1400 RPM | 4D35 | V4D35AØ | 3.480 | 3.140 | 2.830 | | |
| | | 4D40 | V4D40AØ | 4.750 | 4.270 | 3.920 | | |
| | | 4D45 | V4D45AØ | 6.350 | 5.800 | 5.350 | | |
| | | 4D50 | V4D50AØ | 8.300 | 7.650 | 7.150 | | |
| | | 4D50-4PP-45 | V4D50A2 | 10.500 | 9.950 | 9.500 | 8.800 | |
| | | 4D50-6PP-45 | V4D50A4 | 9.750 | 9.100 | 8.600 | 7.750 | |
| | | 4D56 | V4D56AØ | 12.600 | 11.900 | 11.400 | 10.600 | 9.850 |
| | | 4D63 | V4D63A1 | 17.600 | 16.600 | 16.000 | 15.100 | 14.500 |
| | | 4D63-5PP-45 | V4D63A2 | 19.500 | 18.900 | 18.400 | 17.600 | 17.000 |
| | | 4D71 | V4D71AØ | 20.800 | 19.700 | 18.900 | 17.800 | 17.000 |
| | 900 RPM | 6D45-5PP-45 | V6D45A | 5.300 | 4.560 | 3.790 | | |
| | | 6D50 | V6D50AØ | 6.900 | 5.950 | 4.990 | | |
| | | 6D56 | V6D56AØ | 8.700 | 7.500 | 6.550 | | |
| | | 6D63 | V6D63AØ | 13.000 | 11.500 | 10.400 | | |
| | | 6D63-5PP-40 | V6D63A4 | 11.300 | 10.200 | 9.400 | | |
| | | 6D71 | V6D71AØ | 16.300 | 14.600 | 13.300 | | |
| | | 6D71-5PP-40 | V6D71A | 16.800 | 14.900 | 13.900 | | |
| | | 6D92 | V6D92A1 | 20.300 | 17.600 | 15.700 | | |
| | | 6D92-3PP-28 | V6D92A2 | 24.700 | 22.300 | 20.400 | 17.000 | |

* E = Electronically controllable (electronic voltage control by TRIAC/SCR), T = Trafo controllable (voltage control by transformer), F = (Frequency controllable by frequency controller). A frequency controller in combination with a single-phase motor is possible. Inform about possibilities.
 ** Sound pressure level measured at 7 m. free blowing distance.
 All air capacities without wire guard. All motors meet the IP55 standard.

Dimensions

| Impeller range cm | Number of poles | Size in mm | Size in mm | Size in mm | Size in mm | Size in mm | Size in mm | Size in mm | Dimensions packing in mm (lxwxh) |
|-------------------|-----------------|------------|------------|------------|------------|------------|------------|------------|--|
| | | A | B | C | D max | E | F | G | |
| 20 | 4 | 250 | 276 | 220 | 123 | 51 | 9 | 12 | 295x295x210 |
| 25 | 4 | 300 | 326 | 269 | 133 | 51 | 9 | 12 | 345x345x210 |
| 30 | 2,4 | 395 | 442,5 | 340 | (192) | 84 | 7,5 | 36 | 455x455x311 |
| 35 | 2,4 | 445 | 492,5 | 390 | (192) | 84 | 7,5 | 36 | 505x505x311 |
| 40 | 4,6 | 495 | 542,5 | 440 | (192) | 84 | 7,5 | 36 | 555x555x311 |
| 45 | 4,6 | 545 | 592,5 | 490 | (192) | 84 | 7,5 | 36 | 605x605x311 |
| 50 | 4,6 | 600 | 647,5 | 540 | (192) | 84 | 7,5 | 36 | 655x655x311 |
| 56 | 4,6 | 640 | 700 | 600 | 247 | 105 | 10 | 40 | 715x715x396 |
| 63 | 4,6 | 715 | 775 | 670 | 247 | 105 | 10 | 40 | 790x790x396 |
| 71 | 4,6 | 790 | 850 | 740 | 247 | 105 | 10 | 40 | 865x865x396 |
| 92 | 6 | 947 | 1005 | 940 | 247 | 93 | 10 | 40 | motor: 371x222x216 frame: 1050x1050x170 |

Dimensional Diagram



VOSTERMANS VENTILATION

Vostermans Ventilation B.V.
P.O. Box 3025
NL-5902 RA Venlo – Holland
Tel. +31 (0)77 389 32 32
Fax +31 (0)77 382 08 93
ventilation@vostermans.com
www.vostermans.com

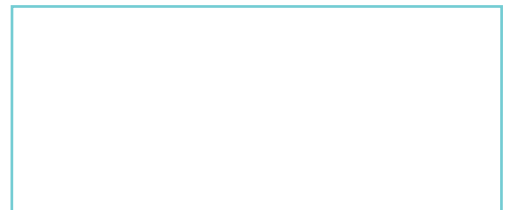
Vostermans Ventilation S.A.R.L.
B.P. 1801
27018 Evreux Cedex
France
Tel. +33 (0)2 32 38 11 00
Fax +33 (0)2 32 33 37 12
ventilation@vostermansfrance.com
www.vostermans.com

Vostermans Ventilation Inc.
2439 S.Main St. – USA
Bloomington, IL 61704
Tel. +1 309 827 - 9798
Fax +1 309 829 - 1993
ventilation@vostermansusa.com
www.vostermansusa.com

Vostermans Ventilation Sdn. Bhd.
330, Lot 2593, Jln Seruling 59, Kws3,
Tmn Klang Jaya, 41200, Klang,
Selangor D.E., Malaysia
Tel. +60 (0)33324 3638 (HL)
Fax +60 (0)33324 1239
ventilation@vostermansasia.com
www.vostermans.com

Vostermans Ventilation B.V. develops, manufactures and distributes the full line of:

Multifan 



All rights reserved. Vostermans Companies is not responsible for inaccurate or incomplete data. In case of questions and / or regards, please contact ventilation@vostermans.com

Subject to alterations 05/2012